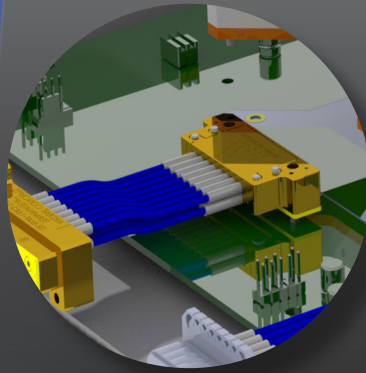
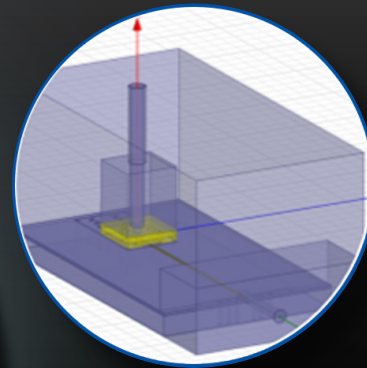


Flight-Ready Ku-Ka Band Multicoax Solutions for Space and Defense



Unparalleled Performance

Reliable, solderless ganged RF coaxial connectors for high speed signal transmission between components and sub-systems.



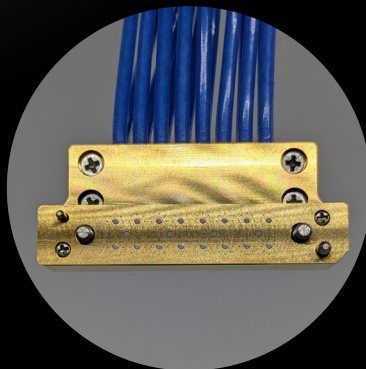
Critical TR Multicoax Design Considerations

- HFSS Models
- Electrical Performance Simulation
- Flexible cable solutions
- Full support and documentation



Our Core Values & IP

Ardent's solderless interconnects deliver high-density, GHz-speed signal integrity, Mil-Spec reliability, and durable performance for defense and aerospace.



Manufacturing Excellence

With full in-house testing, advanced inspection tools, and ISO compliance, Ardent ensures precise, industry-compliant components for every project.